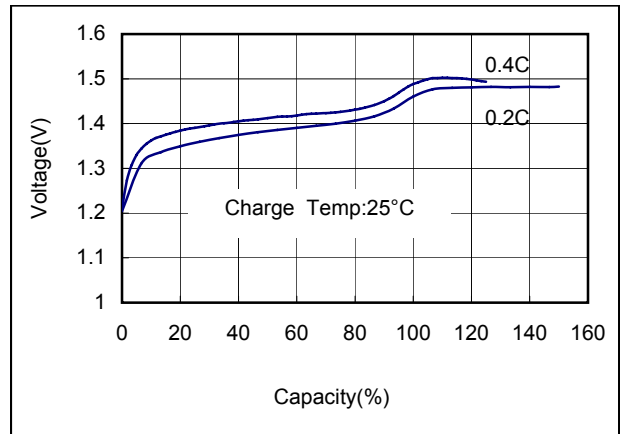
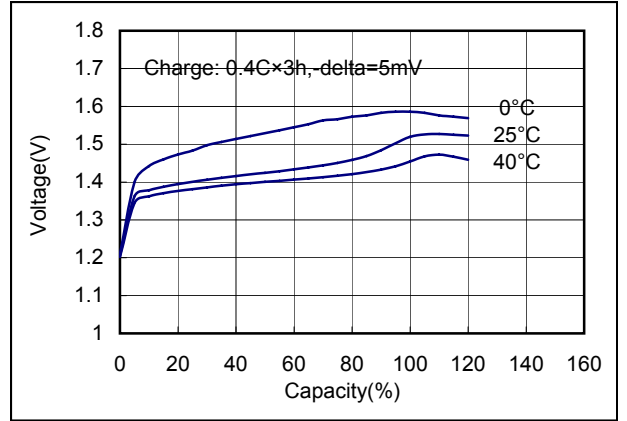


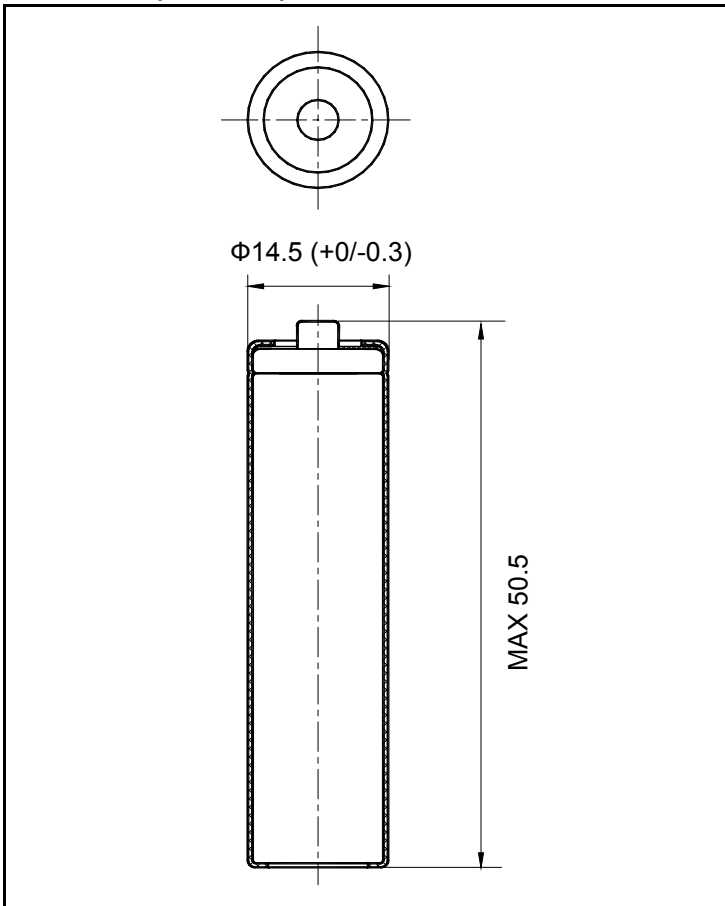
**Parameters**

Nominal Voltage		1.2 V
Nominal capacity (0.2C)		2100 mAh
Min. capacity		2000 mAh
Dimension	OD(mm)	14.5 (+0/-0.3)
	Height(mm)	Max 50.5
Weight (g)		Max 29.5
Impedance(1000Hz)		Max 35 mΩ
Charge	Standard Charge	200 mA×16hrs
	Rapid Charge	800 mA×160mins
	(need control)	
Ambient Temperature	Charge	Standard charge: 0-40 Deg.
		Rapid Charge: 10-35 Deg.
	Discharge	-20-55 Deg.
Storage	12 months:	-20-35 Deg.
	3 months:	-20-45 Deg.
	1 month:	-20-55 Deg.

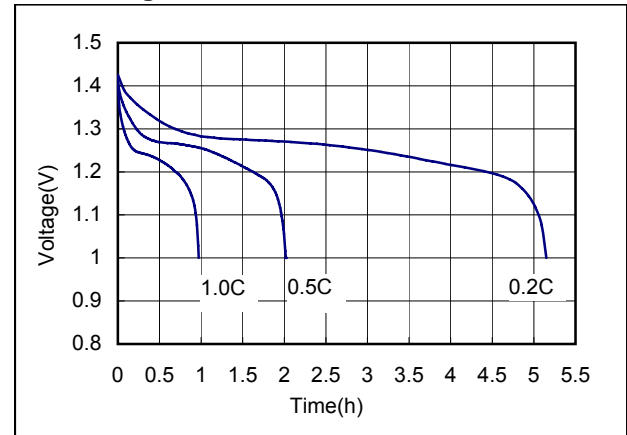
**Charge characteristics**



**Dimension(with tube)mm**



**Discharge characteristics**



**Self discharge characteristics**

