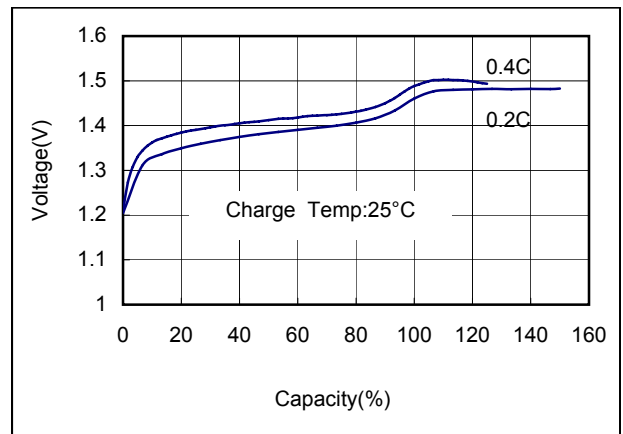
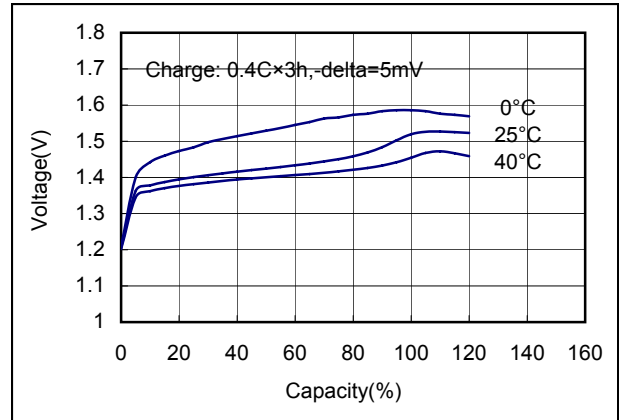


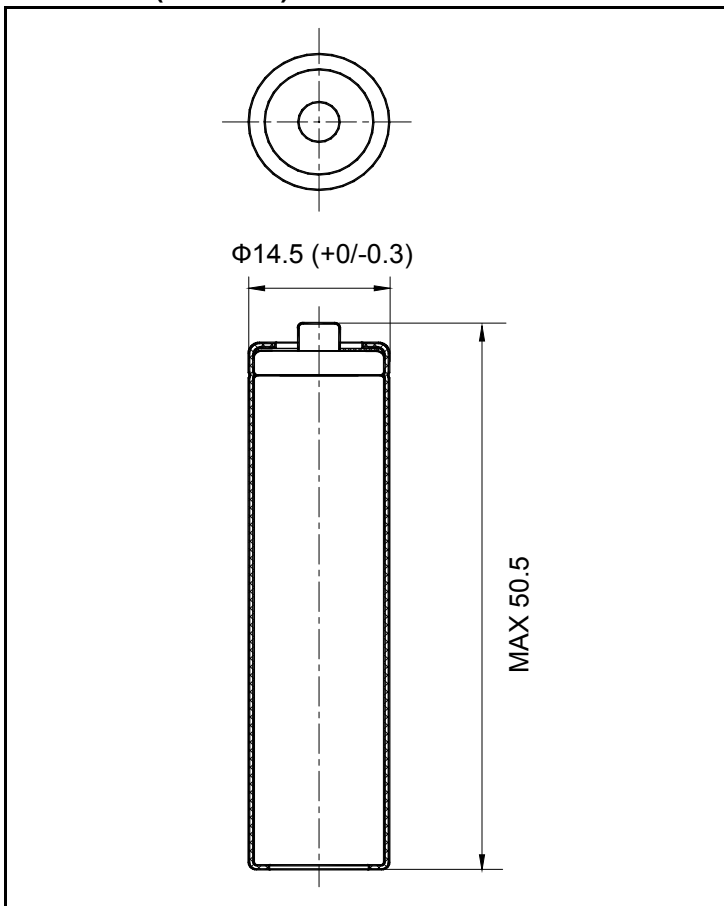
Parameters

Nominal Voltage		1.2 V
Nominal capacity (0.2C)		2700 mAh
Min. capacity		2350 mAh
Dimension	OD(mm)	14.5 (+0/-0.3)
	Height(mm)	Max 50.5
Weight (g)		Max 30.0
Impedance(1000Hz)		Max 35 mΩ
Charge	Standard Charge	235 mA×16hrs
	Rapid Charge	940 mA×160mins
	(need control)	
Ambient Temperature	Charge	Standard charge: 0-40 Deg. Rapid Charge: 10-35 Deg.
	Discharge	-20-55 Deg.
Storage		12 months: -20-35 Deg.
		3 months: -20-45 Deg.
		1 month: -20-55 Deg.

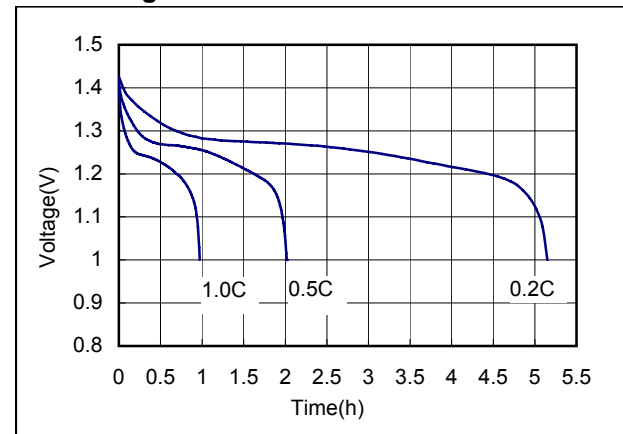
Charge characteristics



Dimension(with tube)mm



Discharge characteristics



Self discharge characteristics

