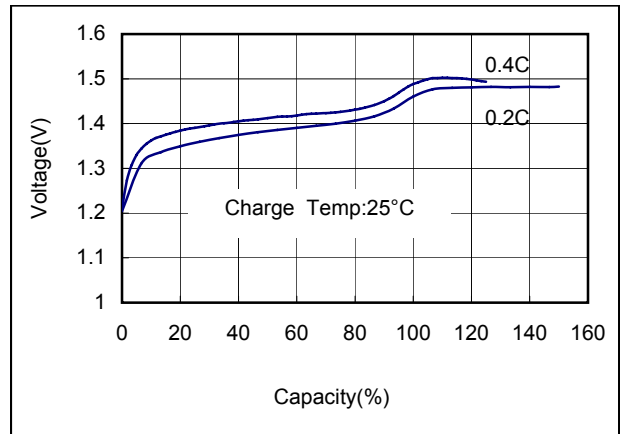
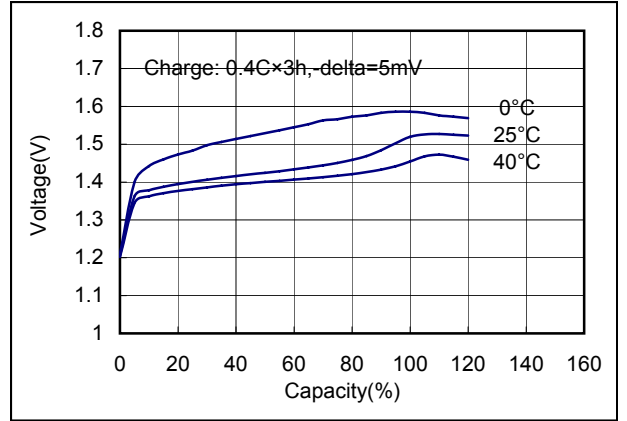


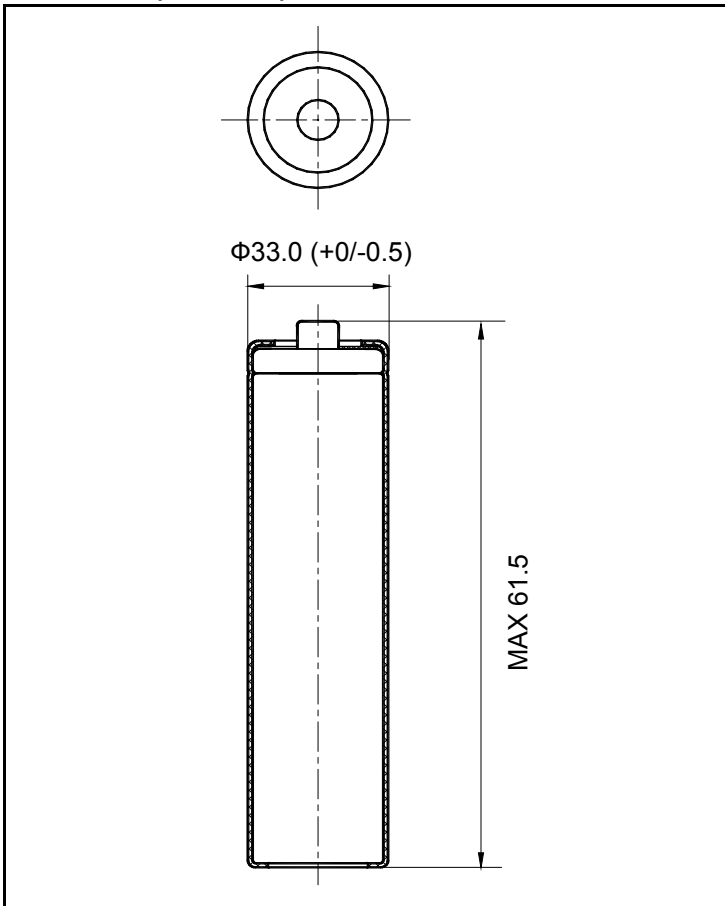
Parameters

Nominal Voltage		1.2 V
Nominal capacity (0.2C)		10000 mAh
Min. capacity		9500 mAh
Dimension	OD(mm)	33.0 (+0/-0.5)
	Height(mm)	Max 61.5
Weight (g)		Max 165
Impedance(1000Hz)		Max 5 mΩ
Charge	Standard Charge	950 mA×16hrs
	Rapid Charge (need control)	3800 mA×160mins
	Charge	Standard charge: 0-40 Deg. Rapid Charge: 10-35 Deg.
Ambient Temperature	Discharge	-20-55 Deg.
	Storage	12 months: -20-35 Deg.
		3 months: -20-45 Deg.
1 month: -20-55 Deg.		

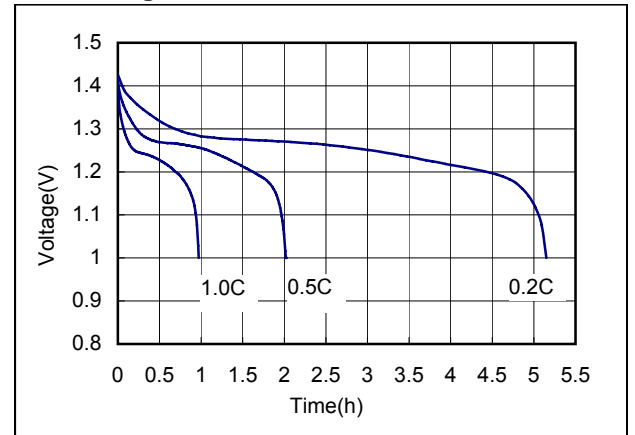
Charge characteristics



Dimension(with tube)mm



Discharge characteristics



Self discharge characteristics

