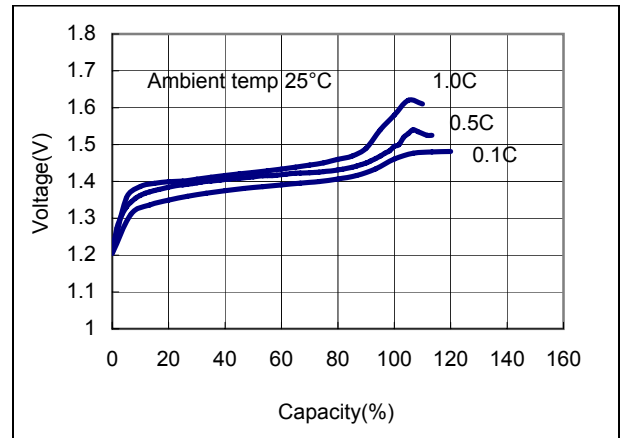
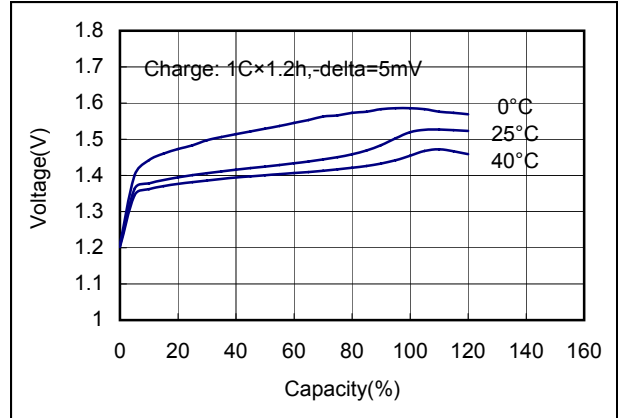


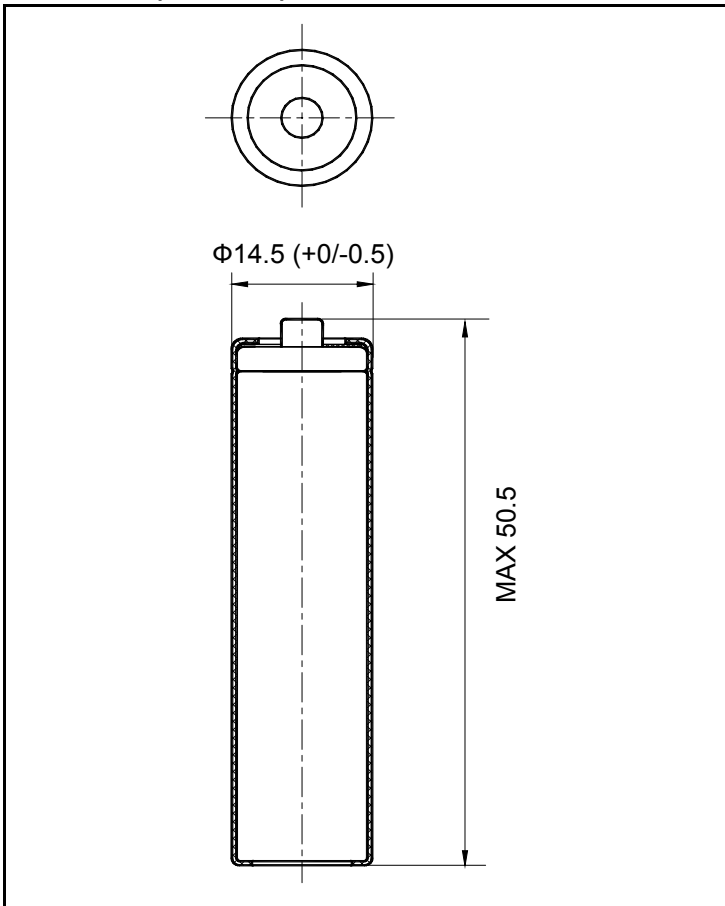
Parameters

| | | |
|-------------------------|-----------------|--|
| Nominal Voltage | | 1.2 V |
| Nominal capacity (0.2C) | | 1200 mAh |
| Min. capacity | | 1150 mAh |
| Dimension | OD(mm) | 14.5 (+0/-0.5) |
| | Height(mm) | Max 50.5 |
| Weight (g) | | Max 22.0 |
| Impedance(1000Hz) | | Max 35 mΩ |
| Charge | Standard Charge | 120 mA×16hrs |
| | Rapid Charge | 1200 mA×63mins |
| | (need control) | |
| Ambient Temperature | Charge | Standard charge: 0-40 Deg. Rapid Charge: 10-35 Deg. |
| | Discharge | -20-55 Deg. |
| Storage | | 12 months: -20-35 Deg. |
| | | 3 months: -20-45 Deg. |
| | | 1 month: -20-55 Deg. |

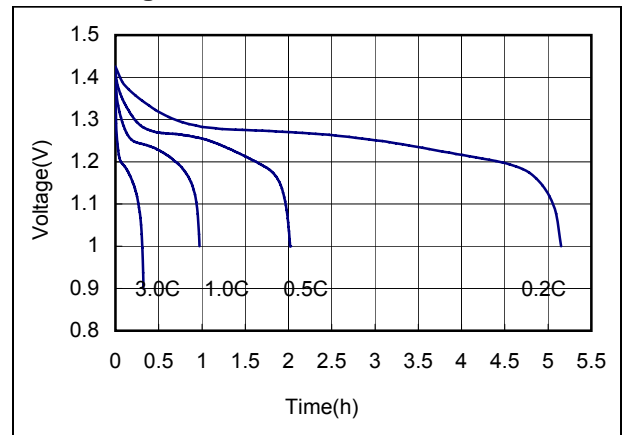
Charge characteristics



Dimension(with tube)mm



Discharge characteristics



Self discharge characteristics

