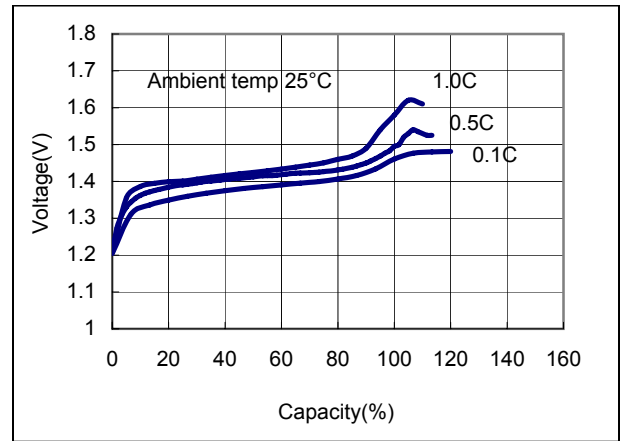
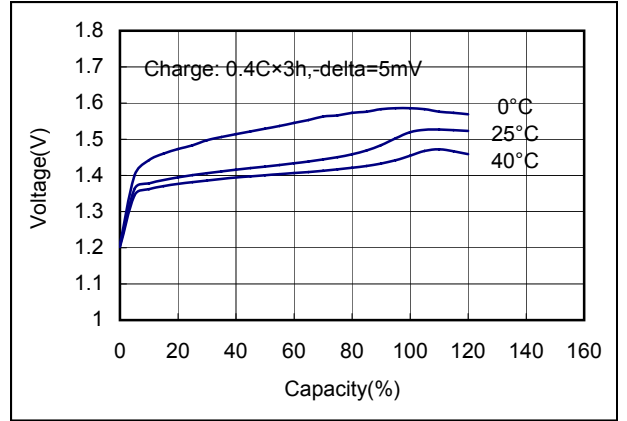


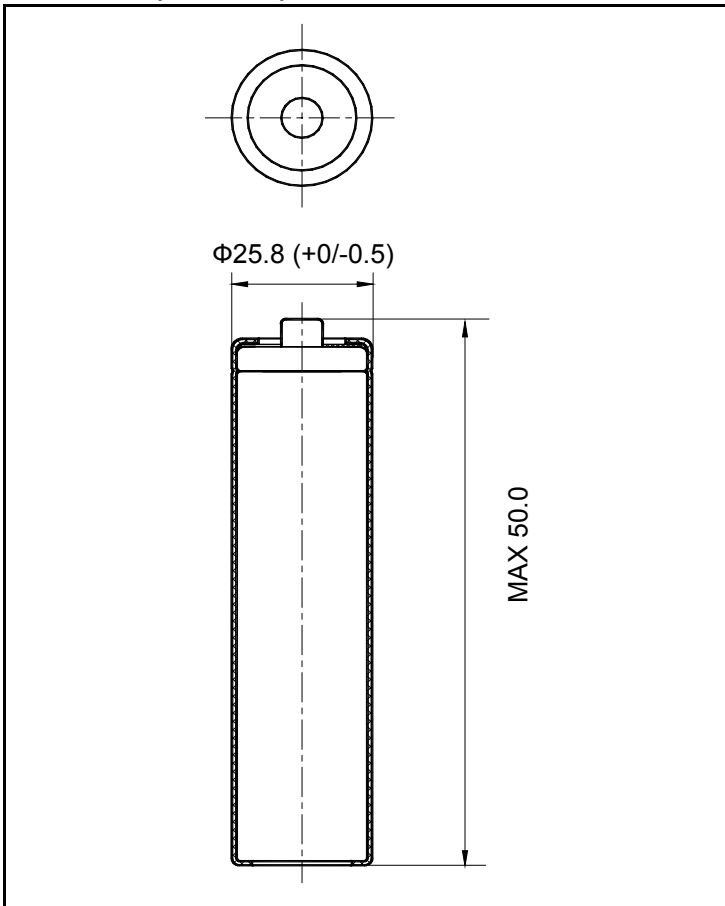
**Parameters**

Nominal Voltage		1.2 V
Nominal capacity (0.2C)		4500 mAh
Min. capacity		4300 mAh
Dimension	OD(mm)	25.8 (+0/-0.5)
	Height(mm)	Max 50.0
Weight (g)		Max 80
Impedance(1000Hz)		Max 10 mΩ
Charge	Standard Charge	450 mA×16hrs
	Rapid Charge	4500 mA×63mins
	(need control)	
Ambient Temperature	Charge	Standard charge: 0-40 Deg. Rapid Charge: 10-35 Deg.
	Discharge	-20-55 Deg.
Storage		12 months: -20-35 Deg.
		3 months: -20-45 Deg.
		1 month: -20-55 Deg.

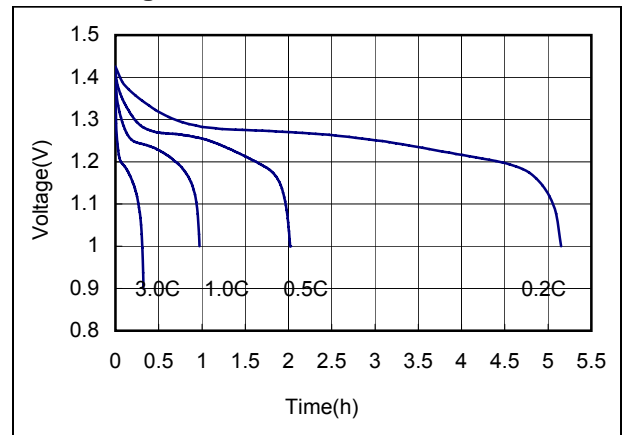
**Charge characteristics**



**Dimension(with tube)mm**



**Discharge characteristics**



**Self discharge characteristics**

